

CLUTCH

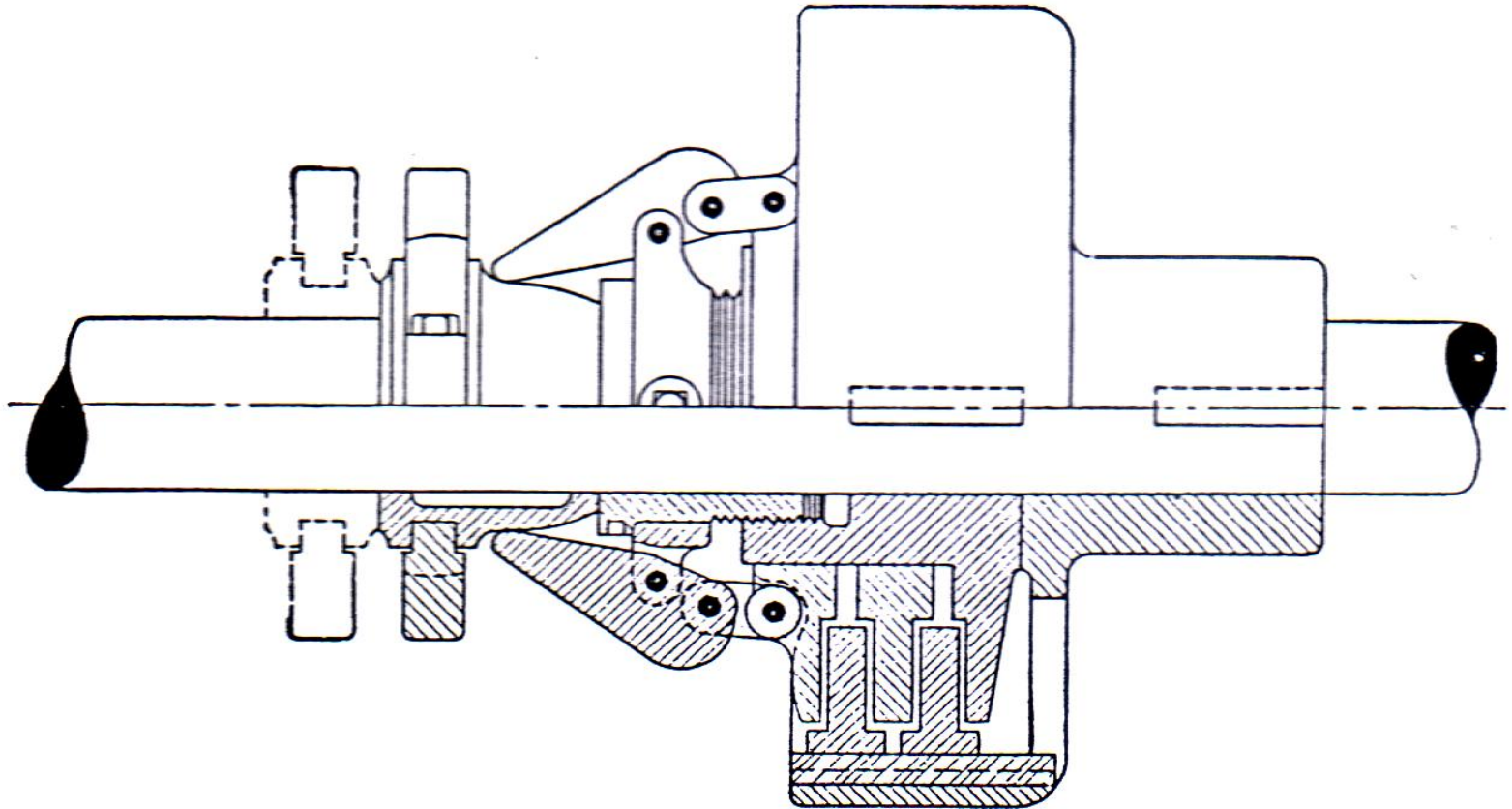
CLUTH

- SAMBUNGAN DAPAT DILEPAS SESUAI KEBUTUHAN PADA SAAT MESIN SEDANG BEROPERASI

JENIS CLUTCH

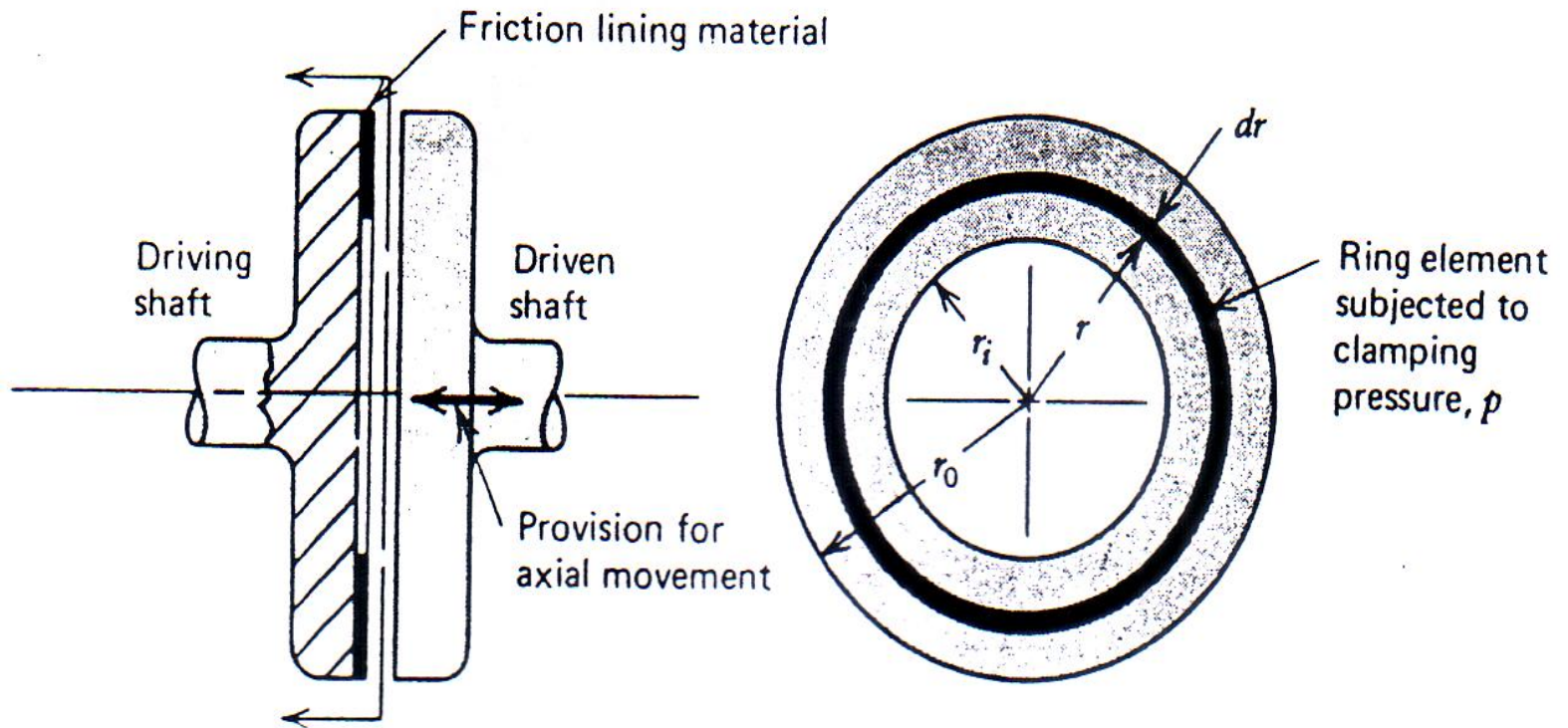
- FRICTION CLUTCH
 - A. SINGLE CLUTCH
 - B. MULTI CLUTCH
 - C. CONE CLUTCH
- POSITIVE CLUTCH / JAW CLUTCH
 - A. SQUARE JAW
 - B. SPIRAL JAW
- HYDRAULIC CLUTCH
- ELECTROMAGNETIC CLUTCH

DISC CLUTCH



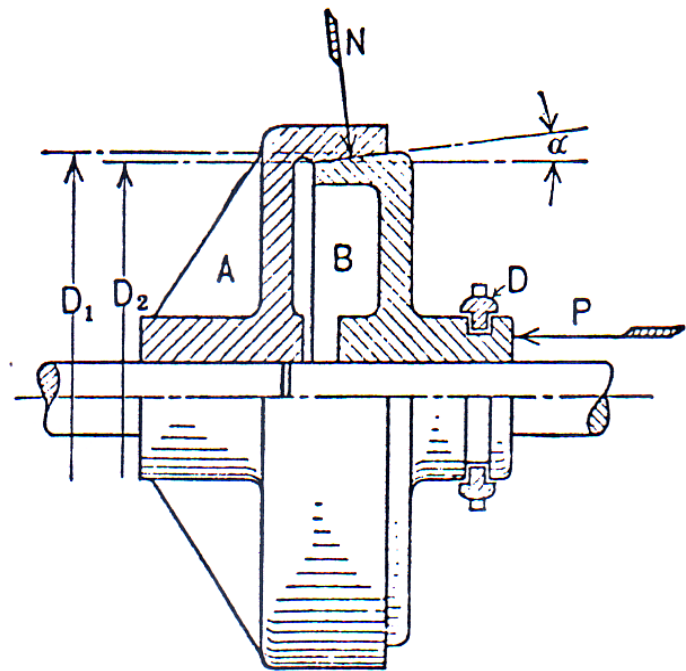
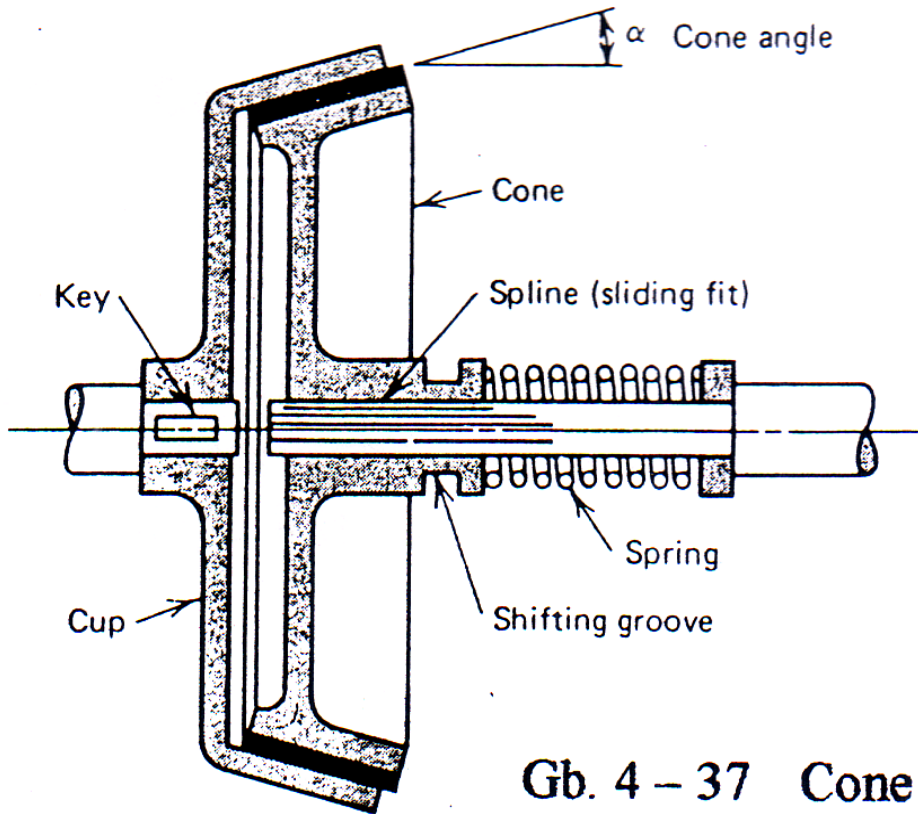
Gb. 4 – 36 Disk Clutch

LINING FRICTION



Gb. 4 – 36 Disk Clutch

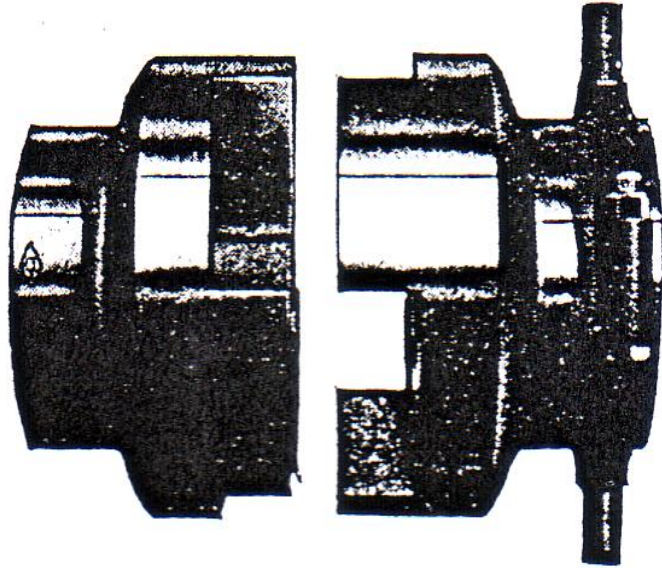
CONE CLUTCH



Gb. 4 - 37 Cone Clutch

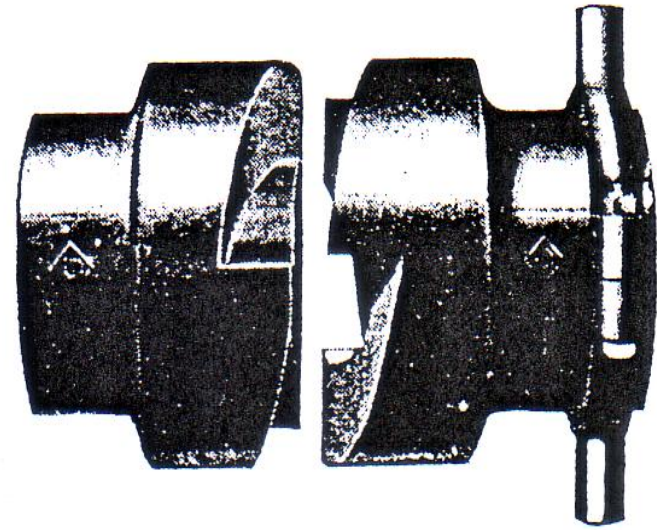
—Diagrammatic arrangement of cone clutch.

POSITIVE CLUTCH



A —Square jaw clutch coupling.

(Dodge Manufacturing Corporation.)

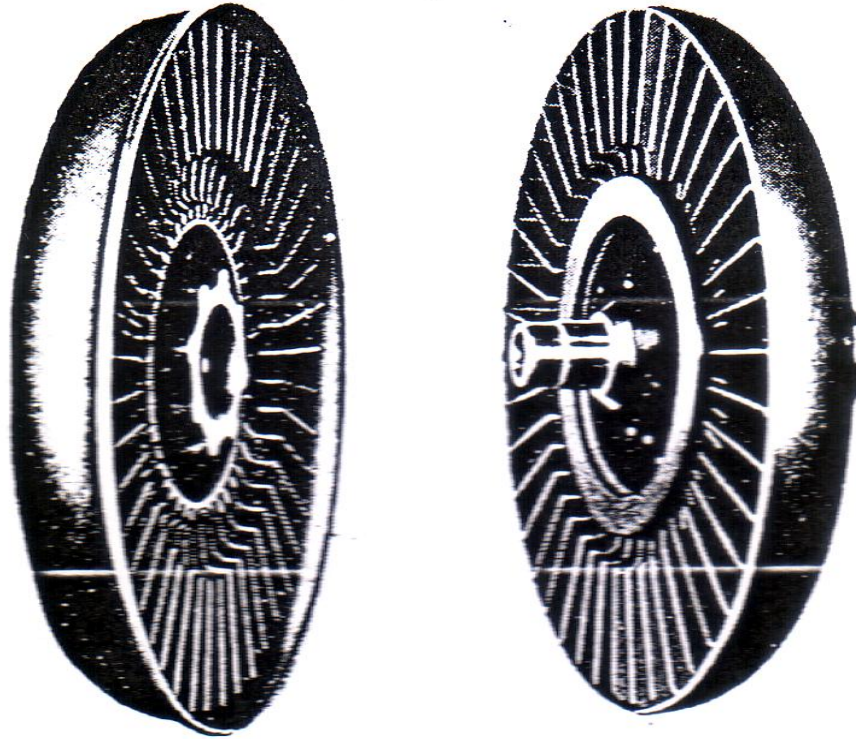


B —Spiral jaw clutch coupling.

(Dodge Manufacturing Corporation.)

Gb. 4 - 38 Jaw Clutches

HYDRAULIC CLUTCH



American Blower Corp.

Gb. 4 – 39 Impeller and Runner of a hydraulic clutches