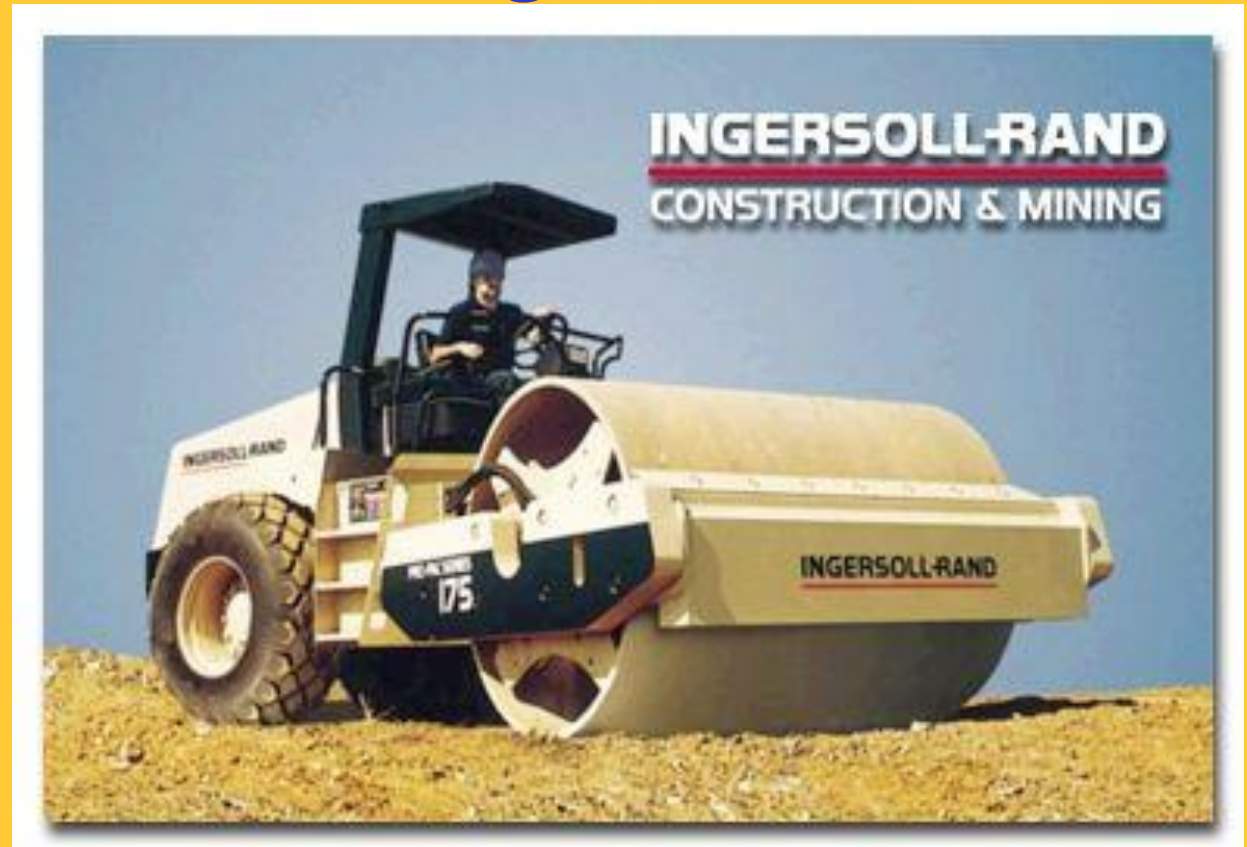


COMPACTOR SYSTEMS

Page 1 to 14

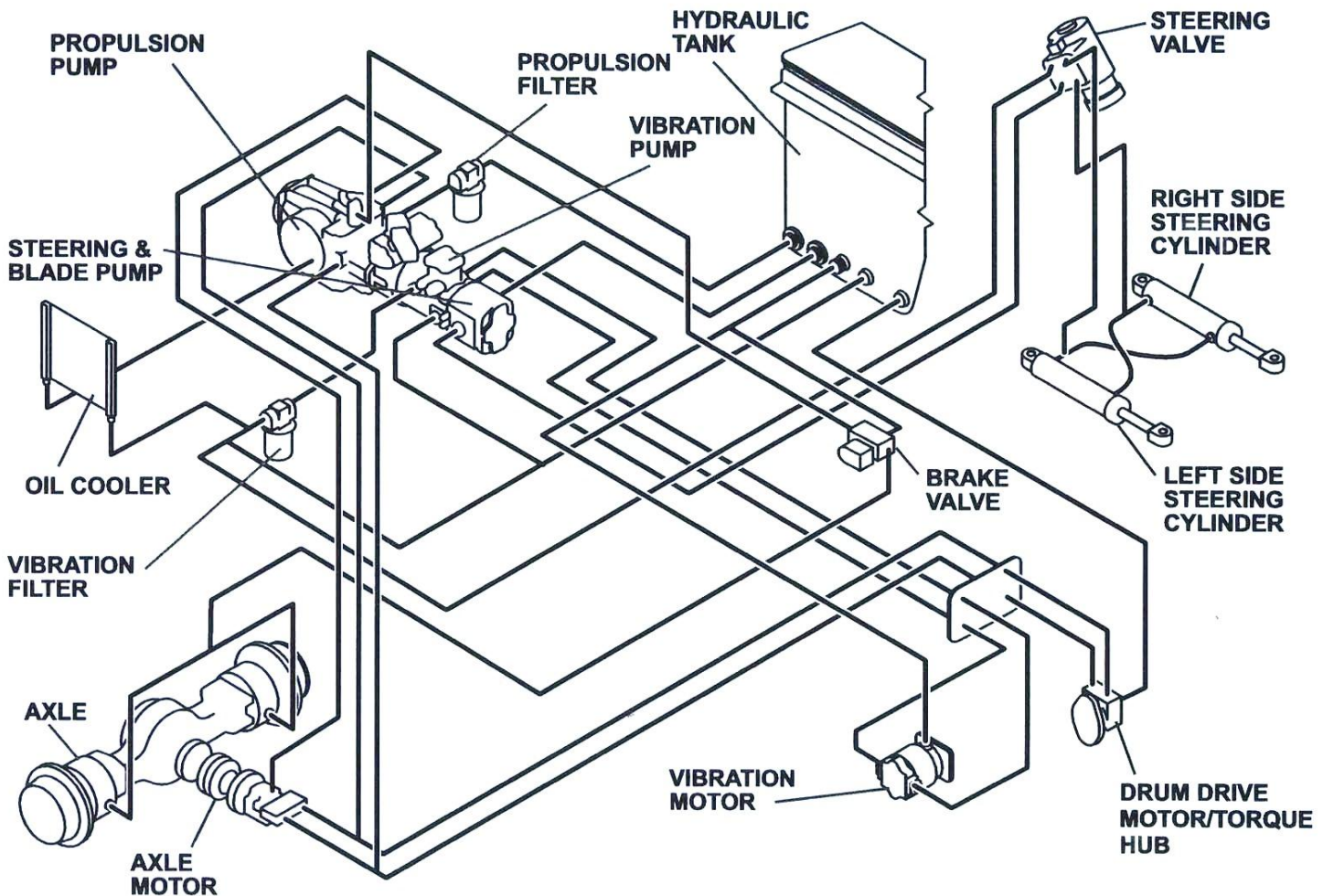


Compactor Principal

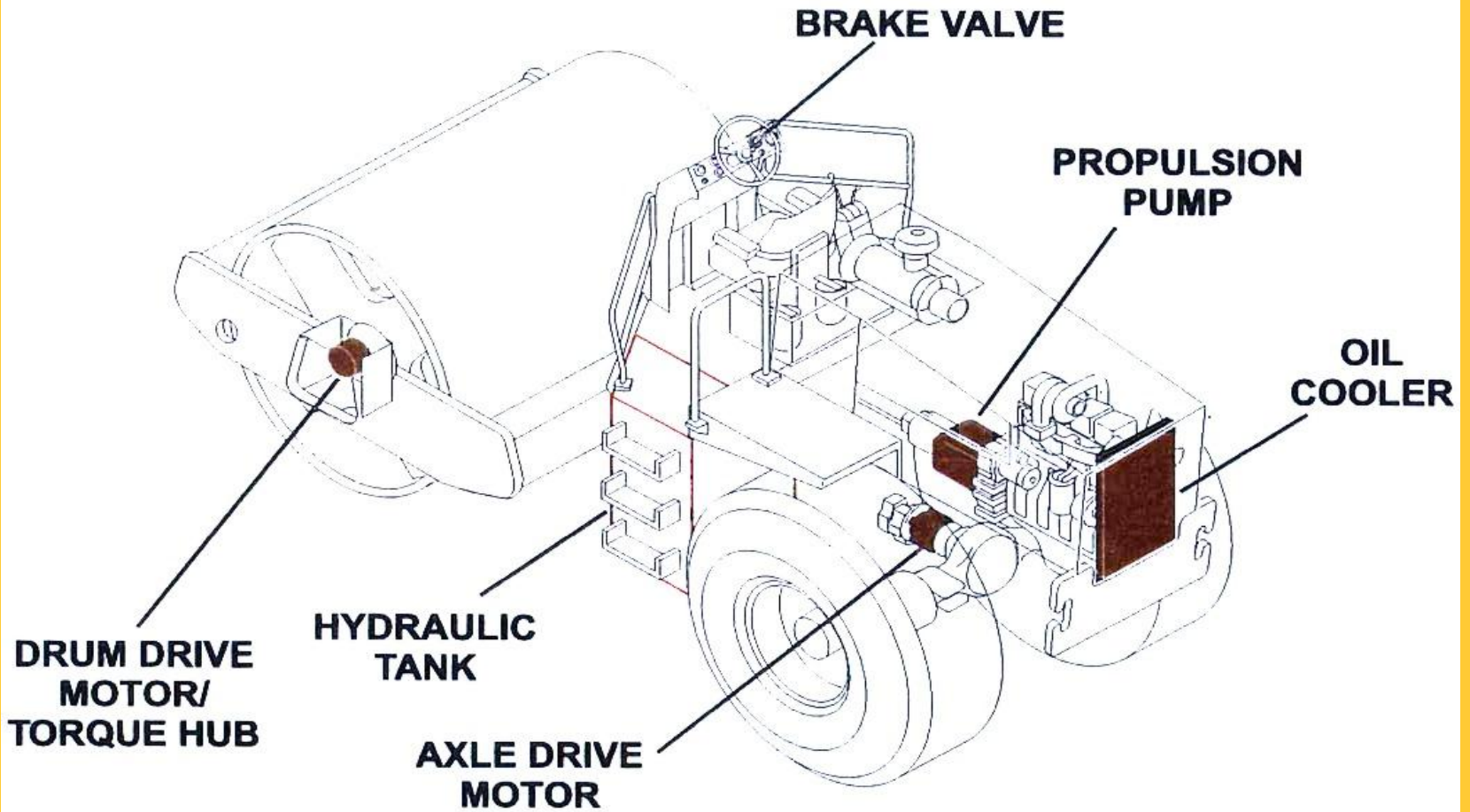
- **Hose Scematic**
- **Propulsion/Braking**
- **Vibration System**
- **Steering System**

Hose Schematic

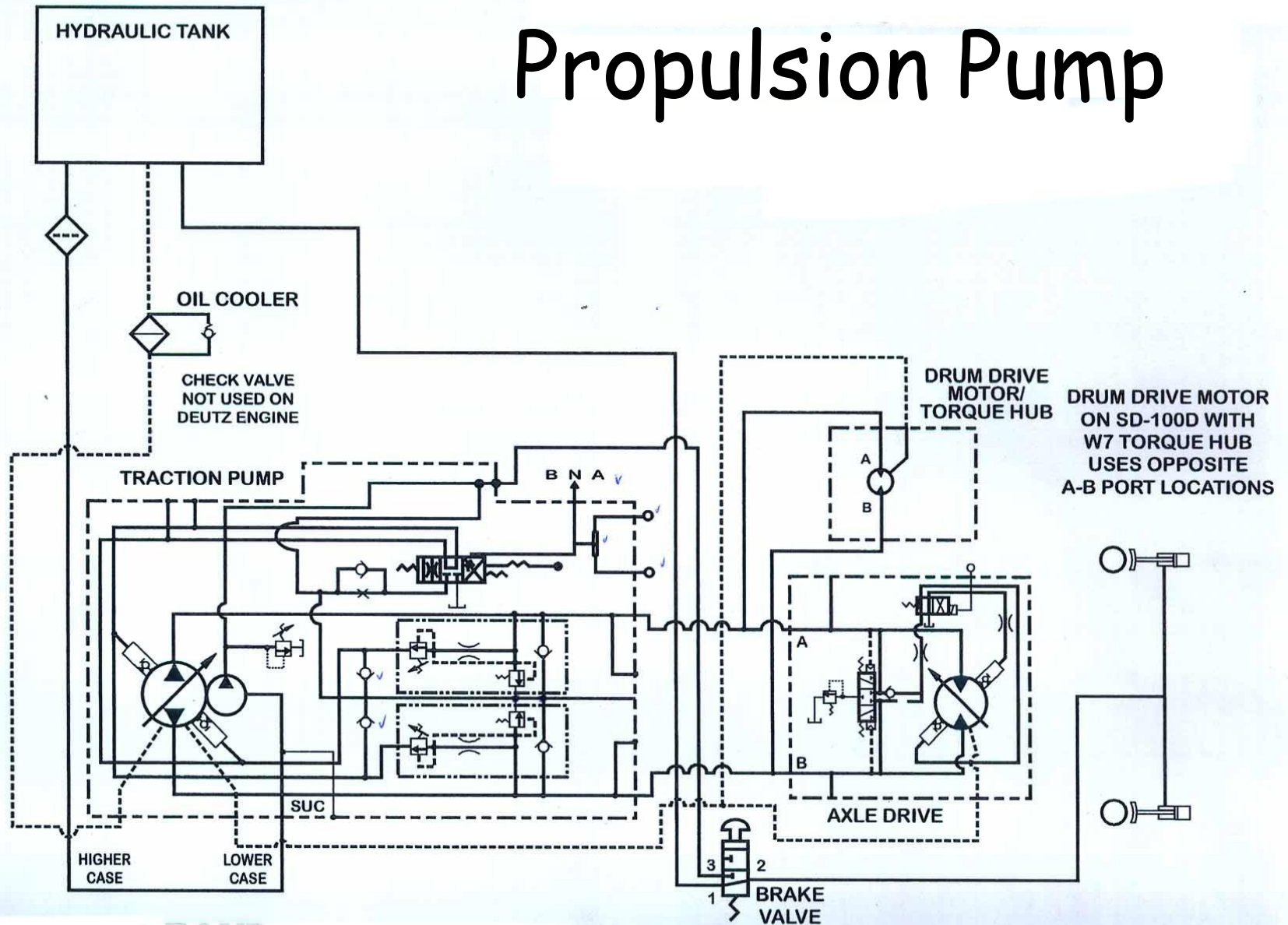
Compactor Principal



Propulsion Pump



Propulsion Pump



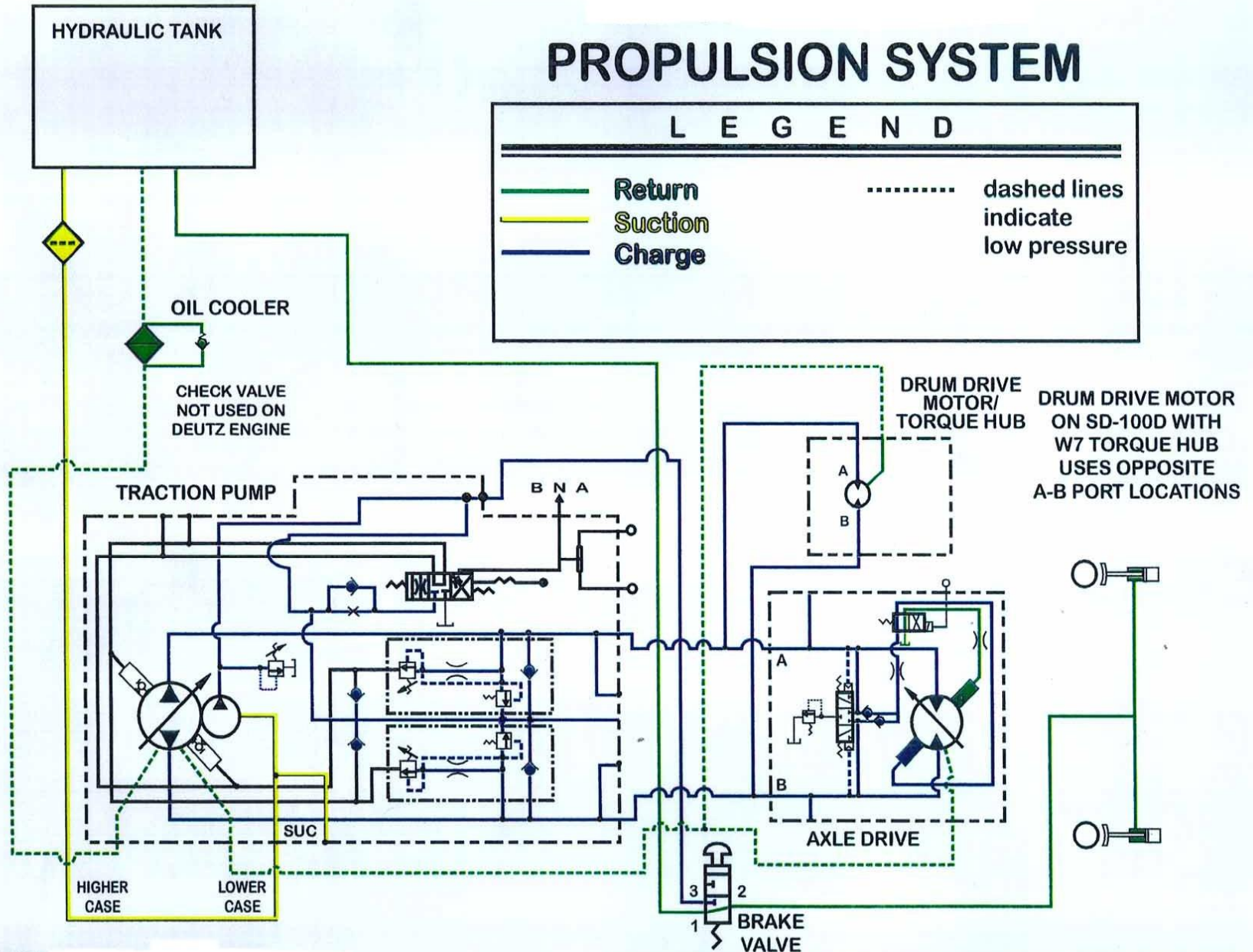
OVERVIEW

PROPULSION SYSTEM

LEGEND

— Return
— Suction
— Charge

..... dashed lines indicate low pressure

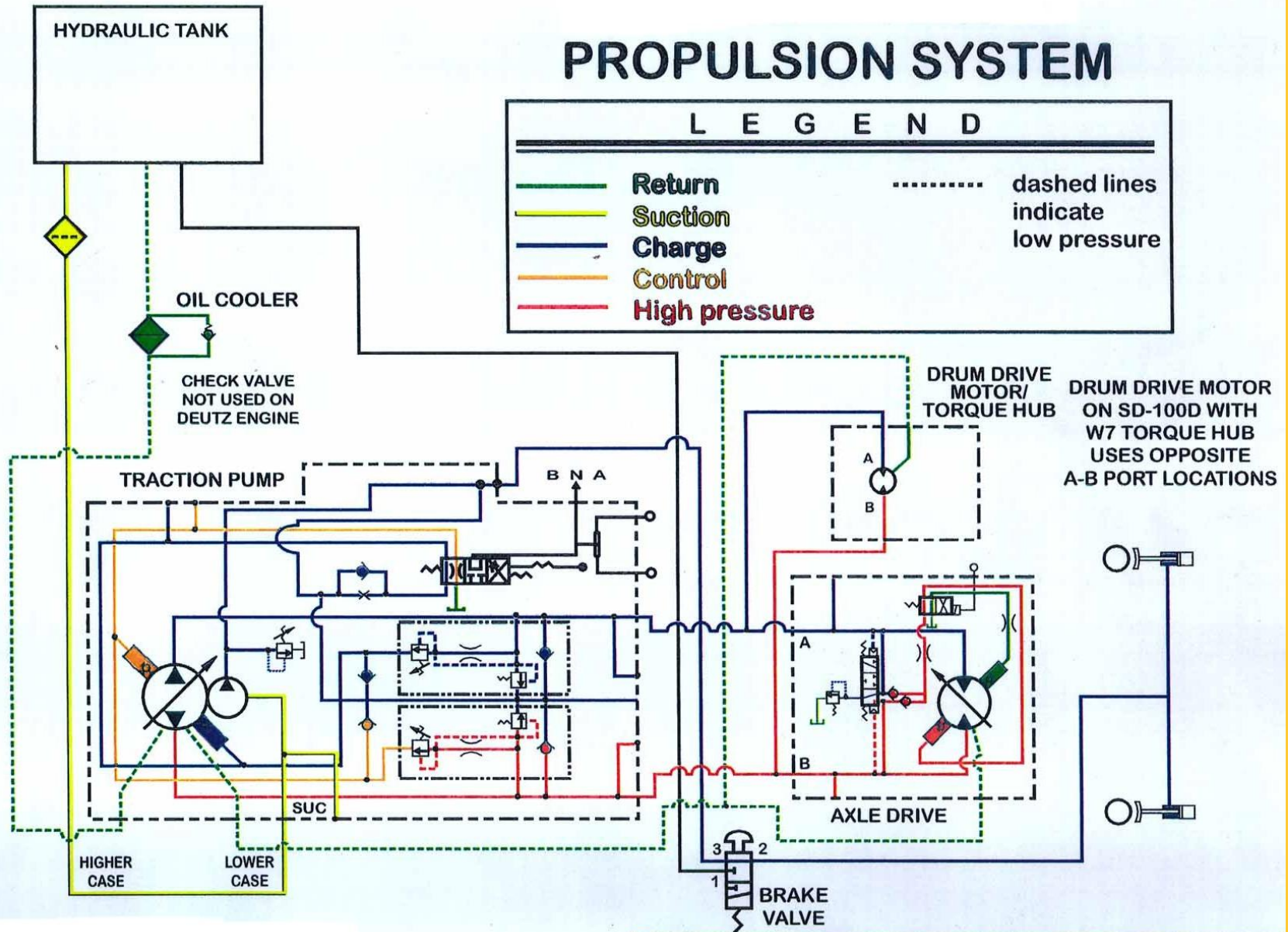


NEUTRAL- BRAKES APPLIED

PROPULSION SYSTEM

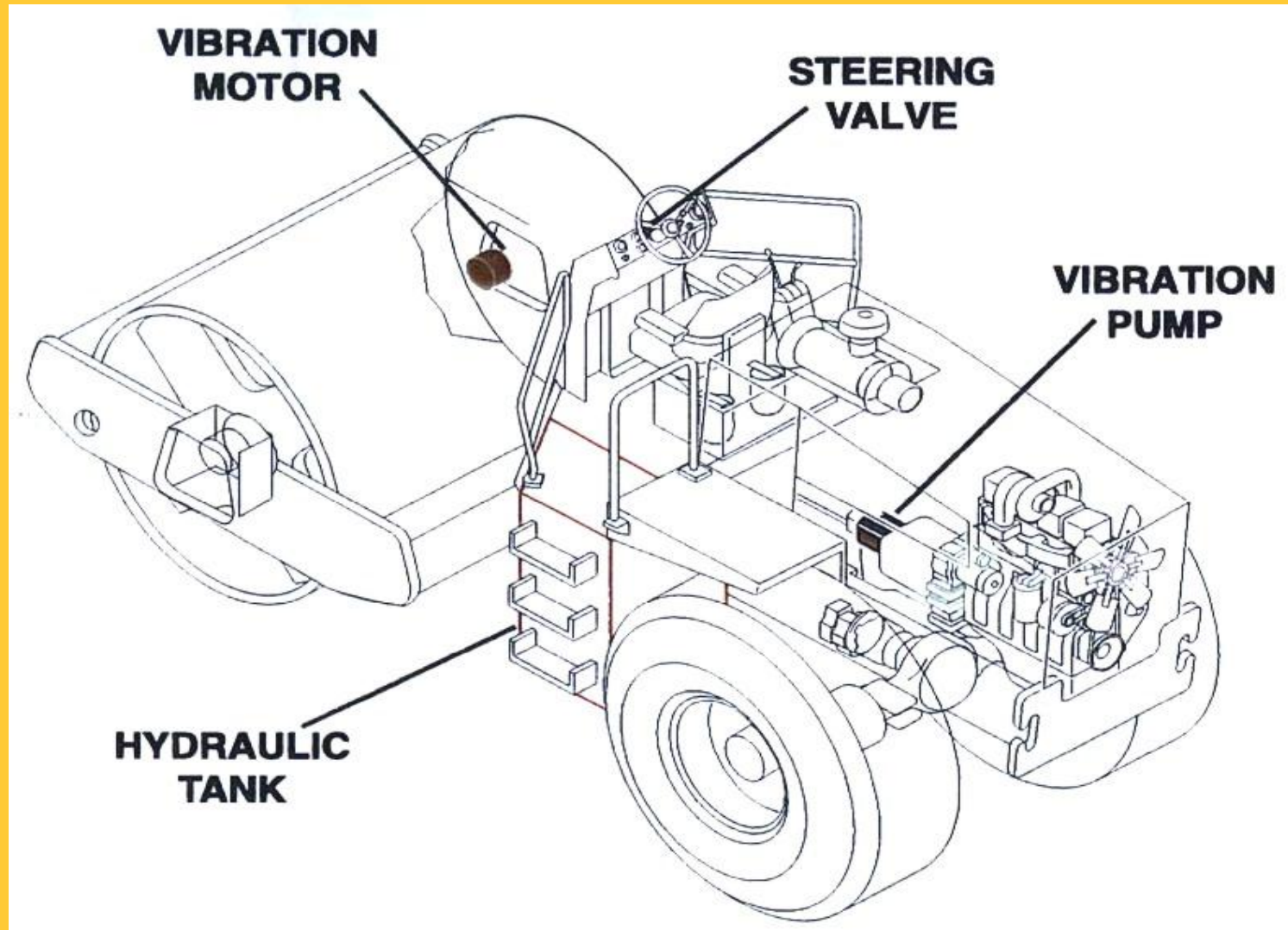
LEGEND

- Return
- Suction
- Charge
- Control
- High pressure
- dashed lines indicate low pressure

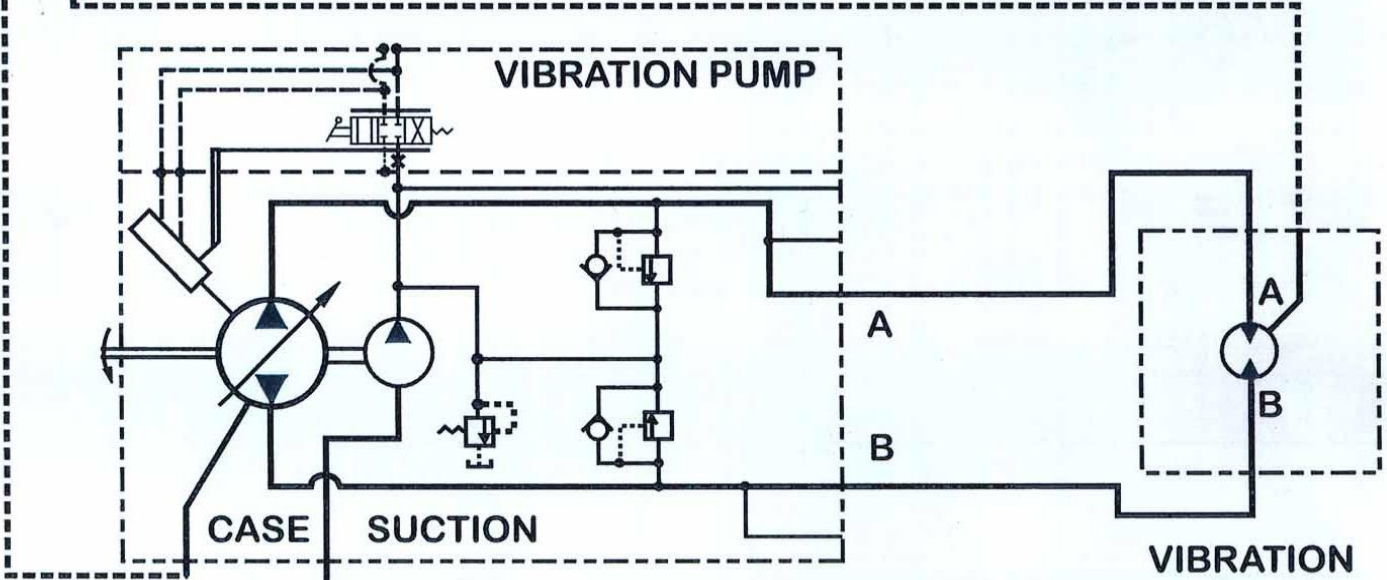
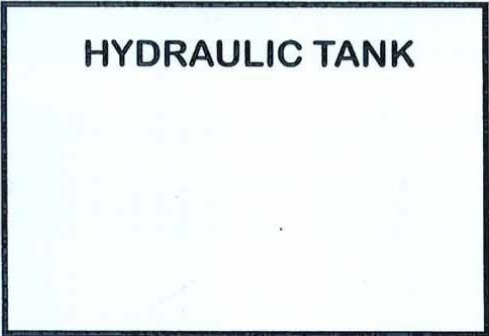


REVERSE - BRAKES RELEASED

Vibration System



VIBRATION SYSTEM



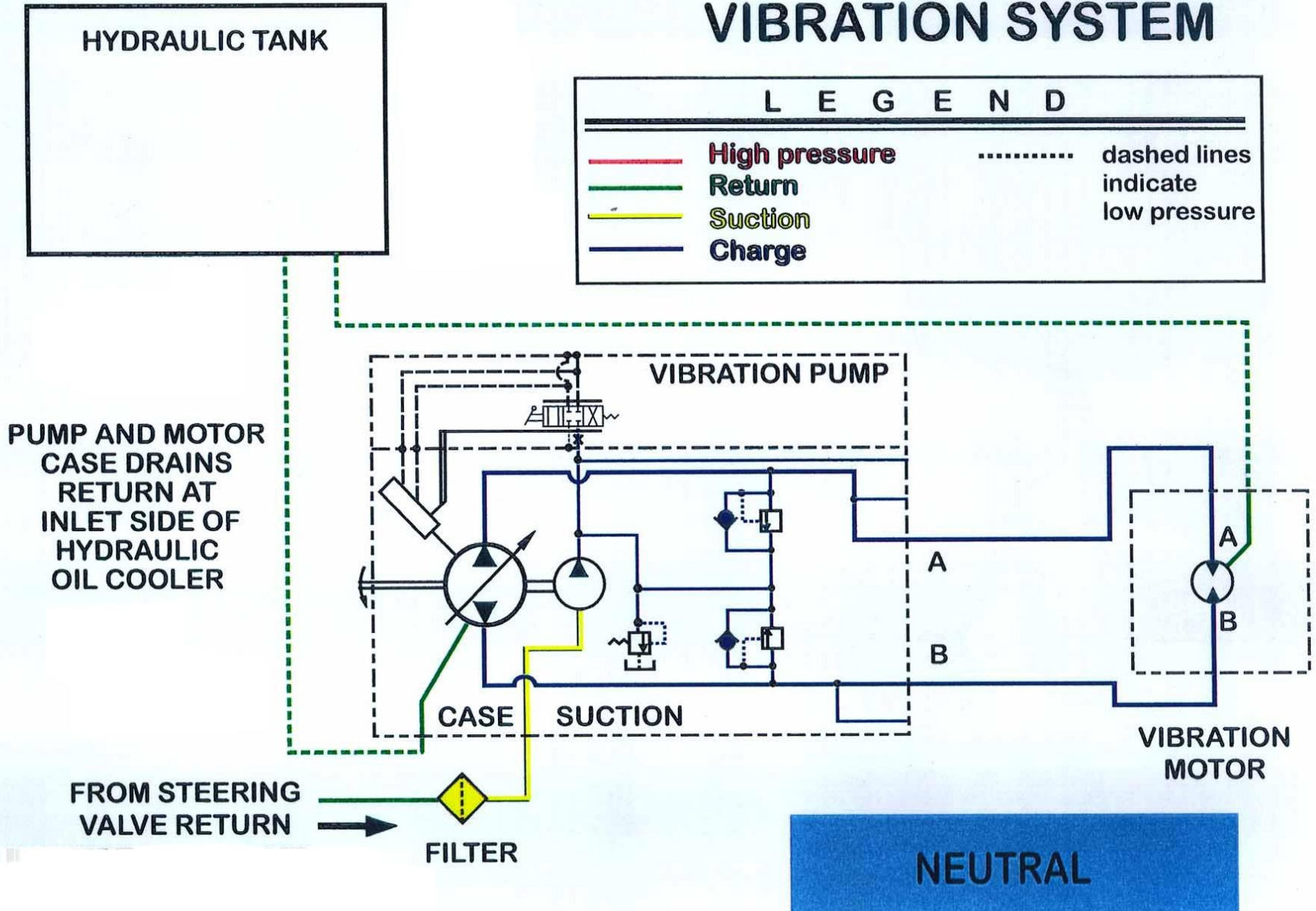
FROM STEERING VALVE RETURN →

OVERVIEW

VIBRATION SYSTEM






LEGEND

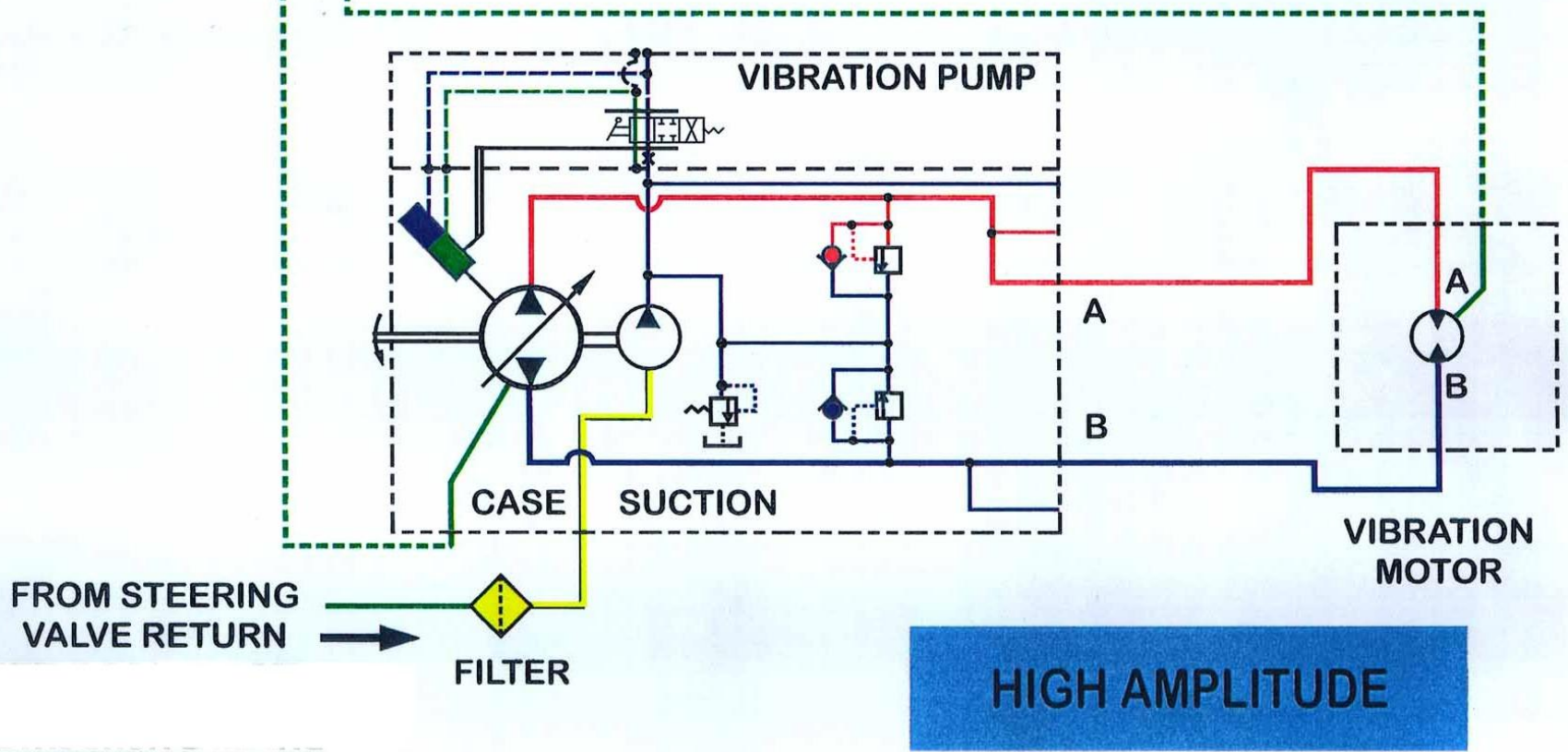
	High pressure		dashed lines indicate low pressure
	Return		
	Suction		
	Charge		



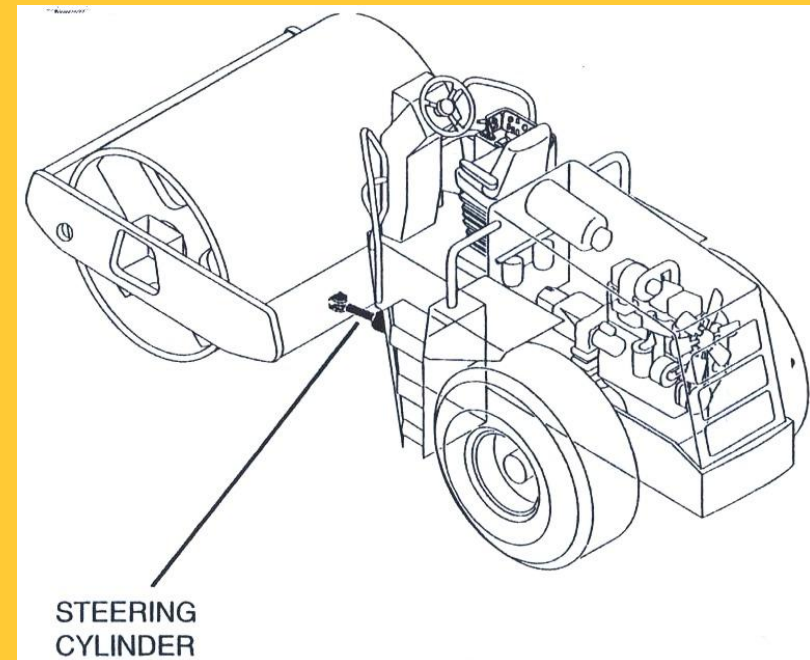
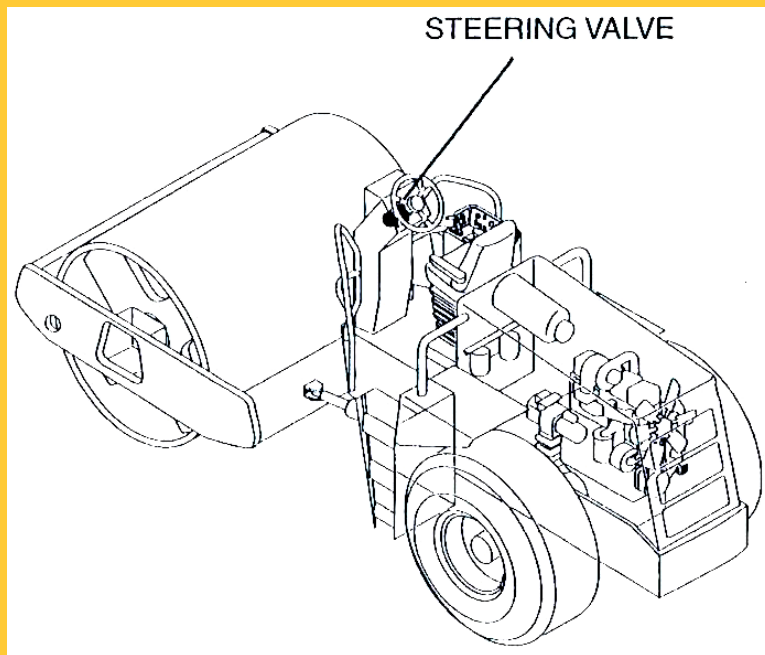
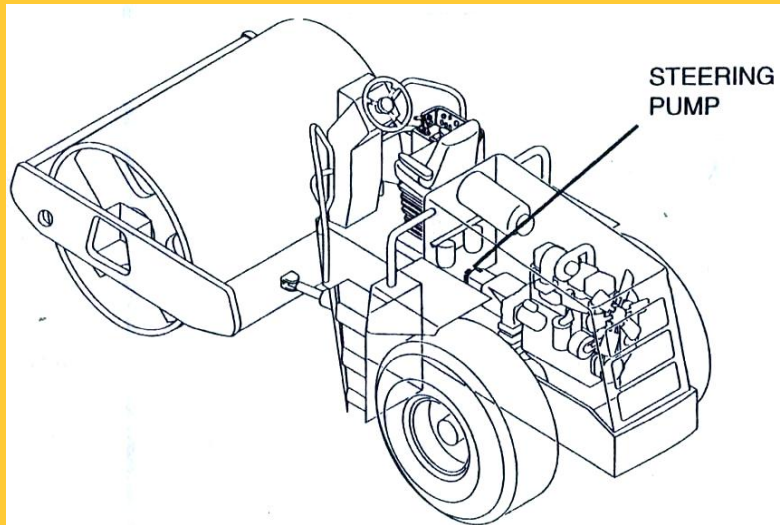
Vibration System

HYDRAULIC TANK

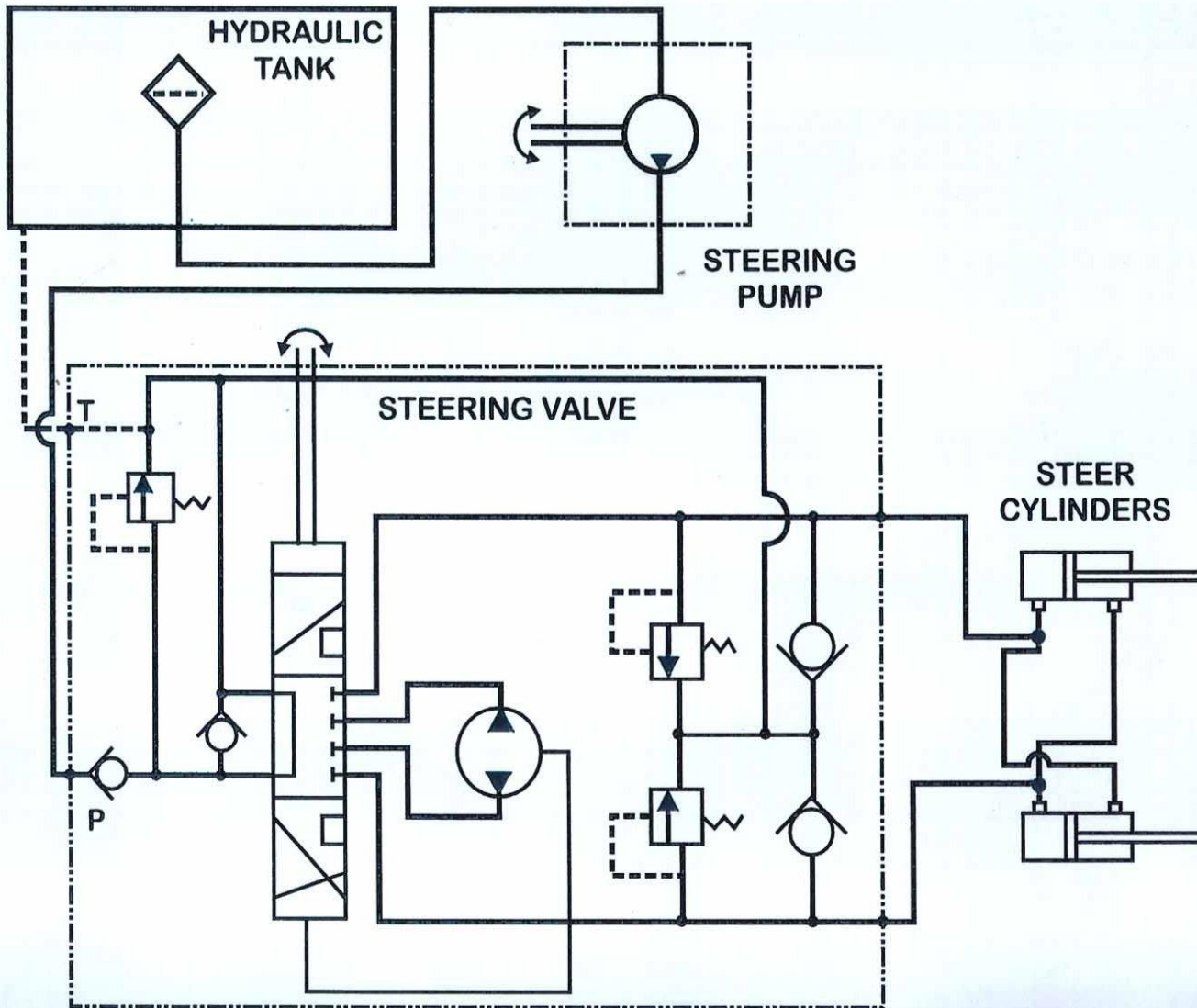
L E G E N D			
	High pressure		dashed lines indicate low pressure
	Return		
	Suction		
	Charge		



Steering System

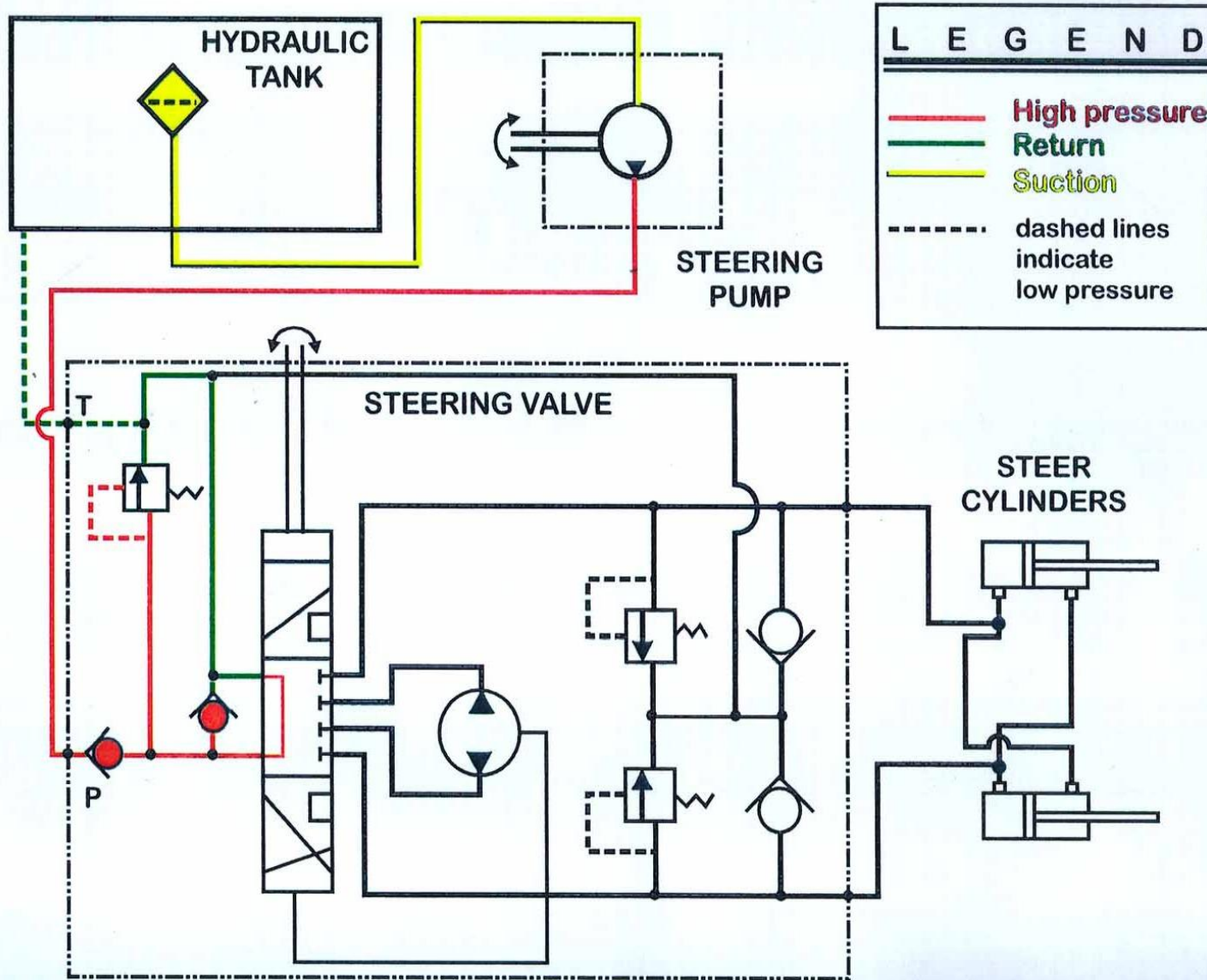


3 STEERING SYSTEM



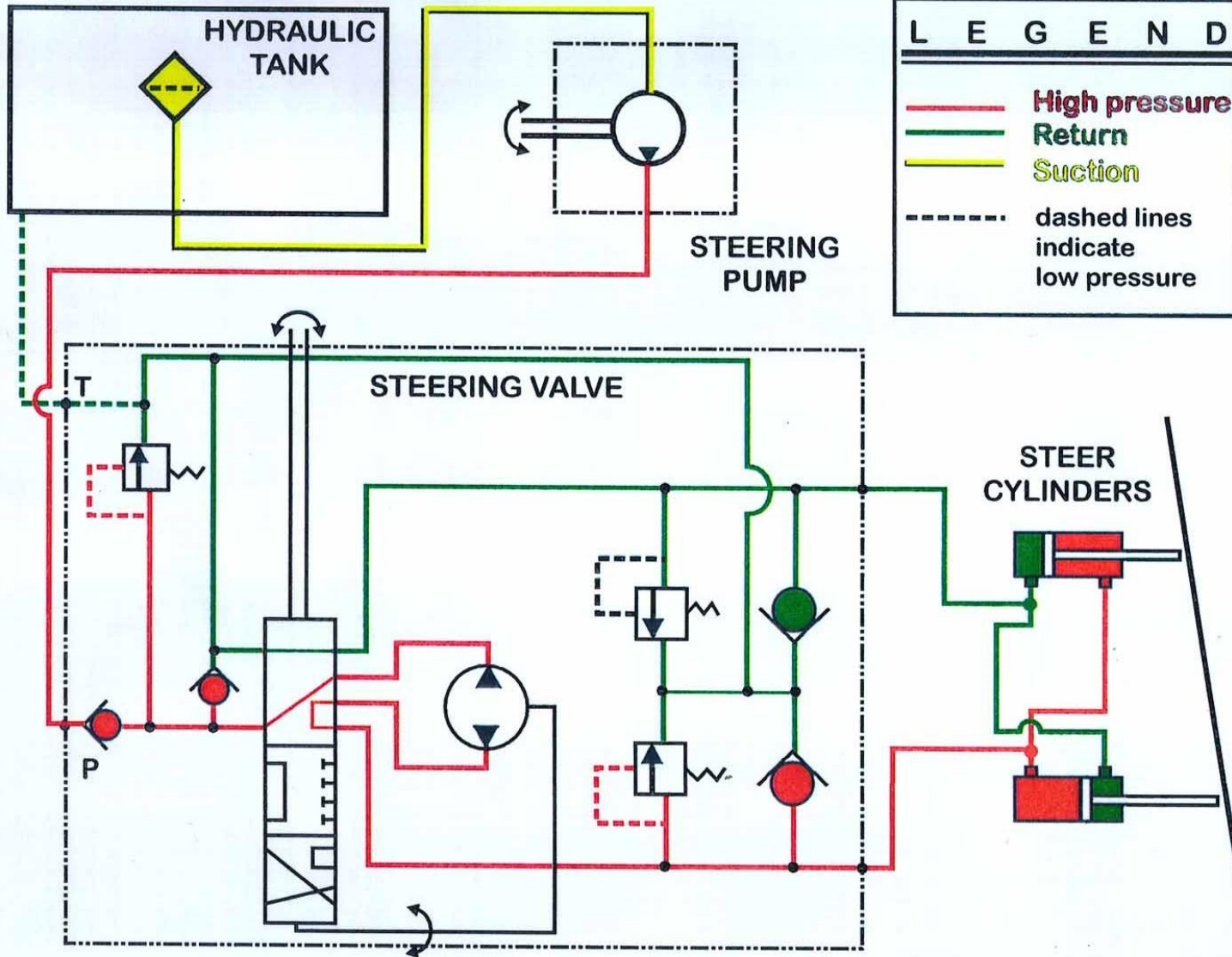
OVERVIEW

STEERING SYSTEM



NEUTRAL-
NO STEERING

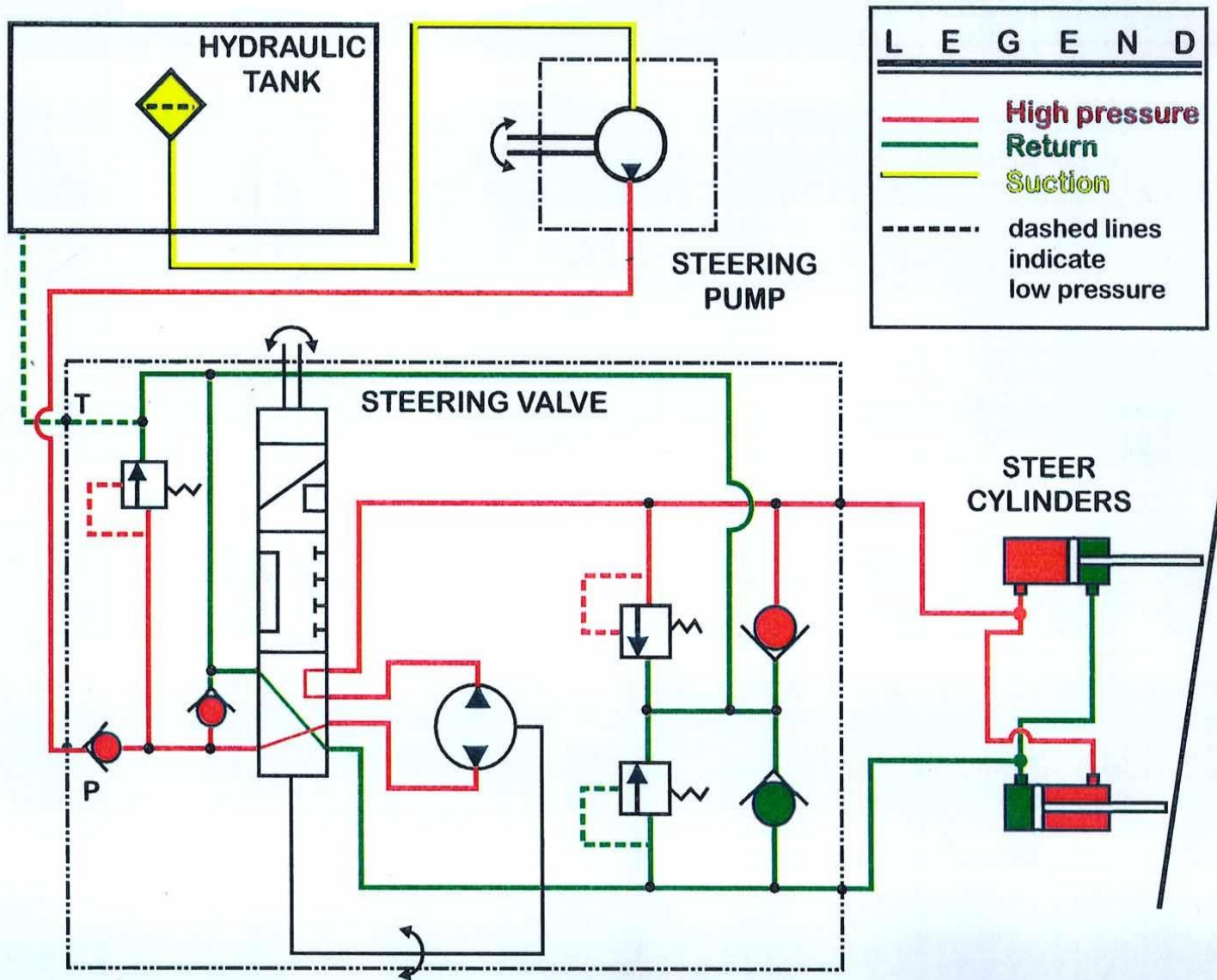
STEERING SYSTEM



L E G E N D				
	High pressure			
	Return			
	Suction			
	dashed lines indicate low pressure			

STEER TO LEFT

3 STEERING SYSTEM



STEER TO RIGHT