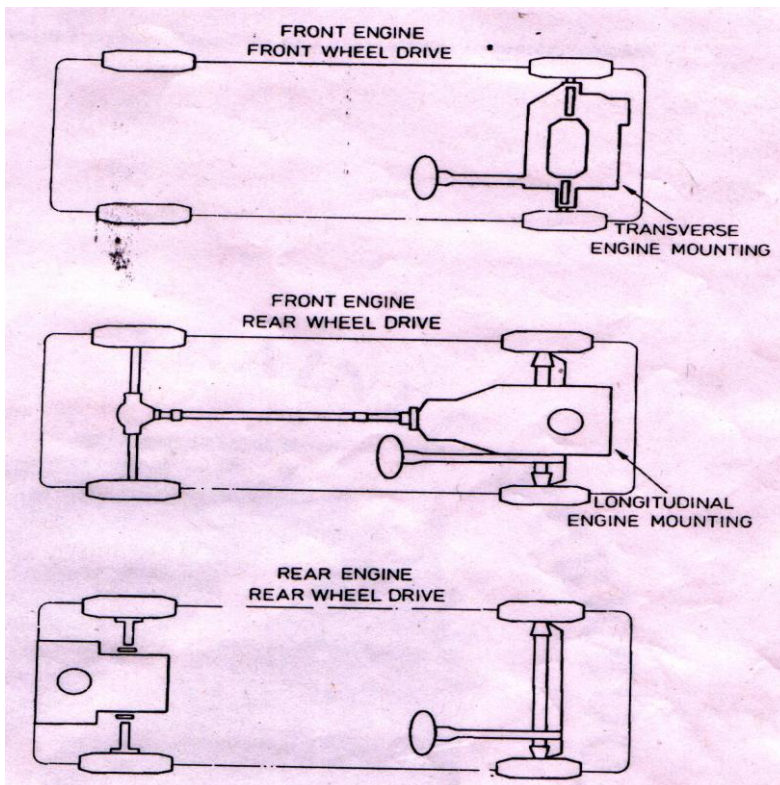
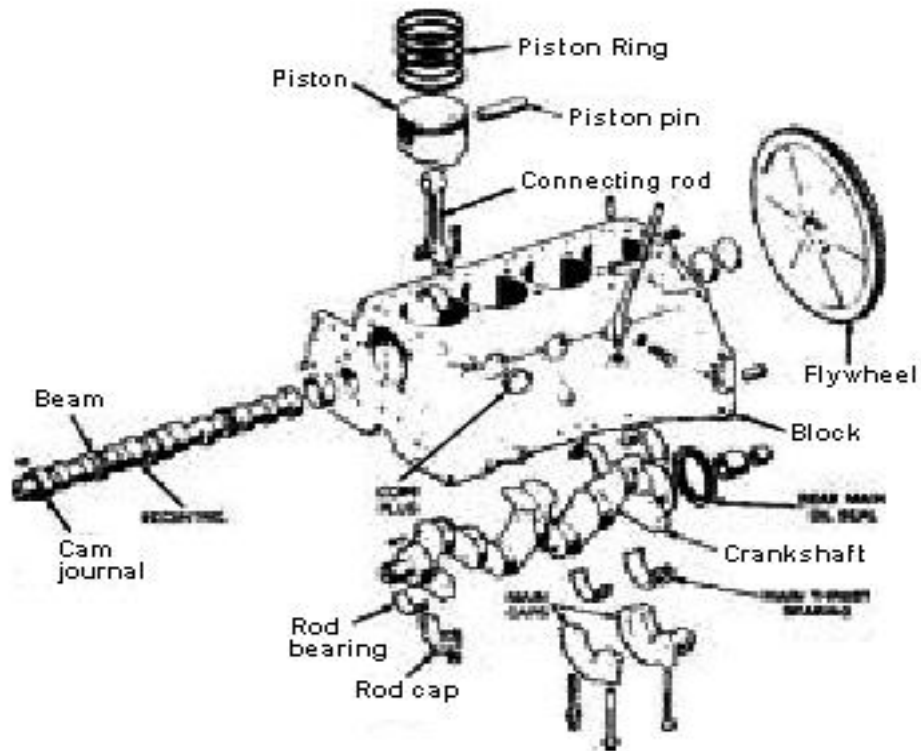


Susunan Silinder

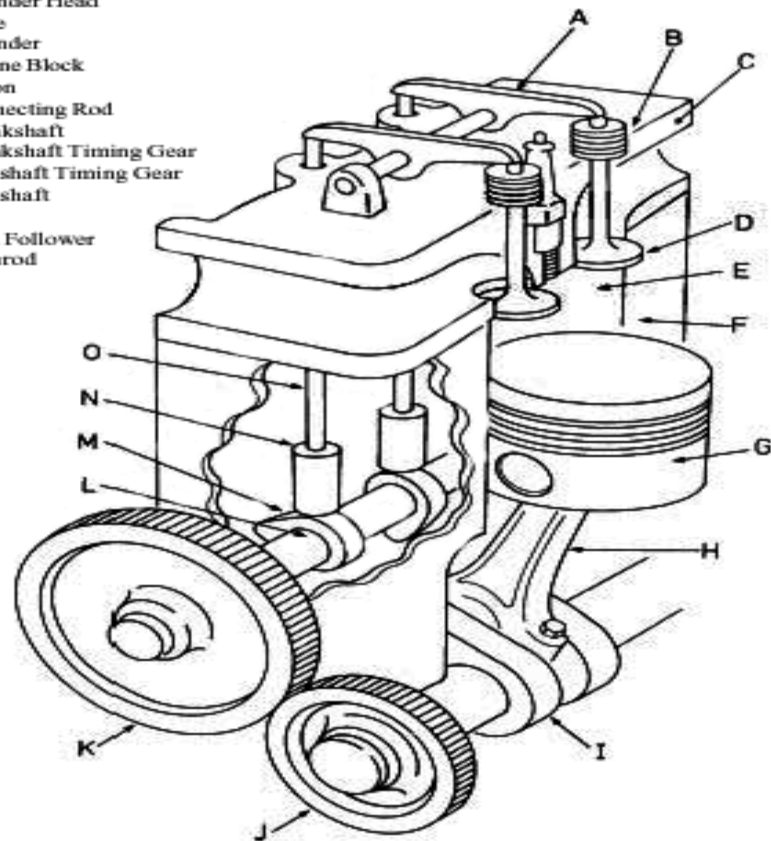


Perletakan Engine



Cylinder block

- A. Rocker Arm
- B. Valve Spring
- C. Cylinder Head
- D. Valve
- E. Cylinder
- F. Engine Block
- G. Piston
- H. Connecting Rod
- I. Crankshaft
- J. Crankshaft Timing Gear
- K. Camshaft Timing Gear
- L. Camshaft
- M. Cam
- N. Cam Follower
- O. Pushrod



Engine