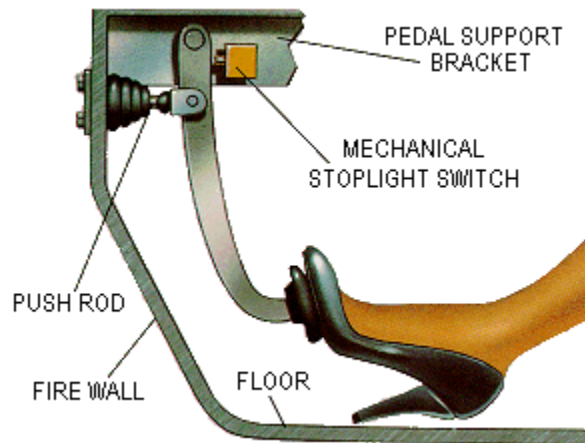
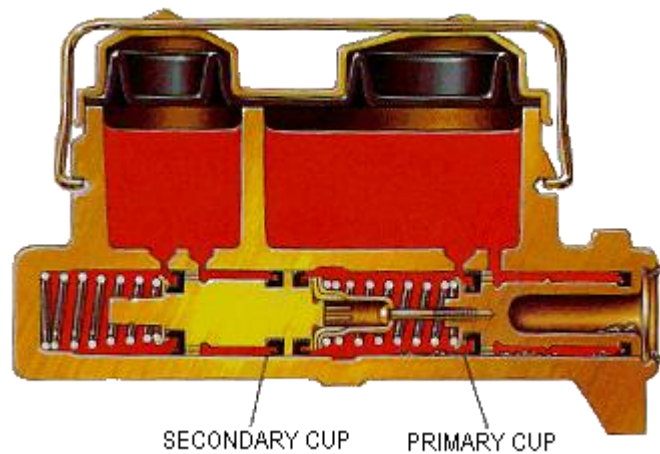




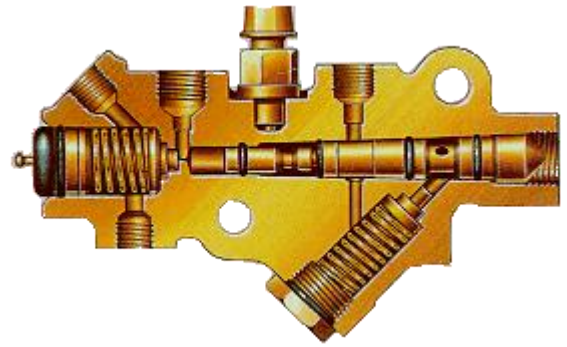
1. Brake Drum
2. Wheel Cylinder
3. Brake Shoes
4. Brake Linings



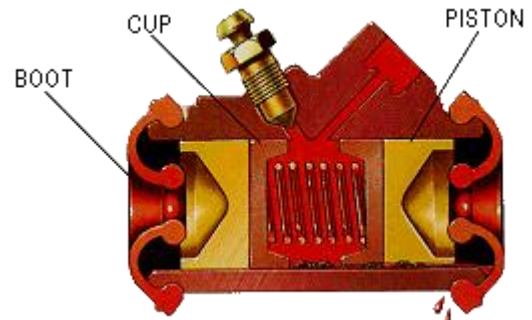
Master Cylinder



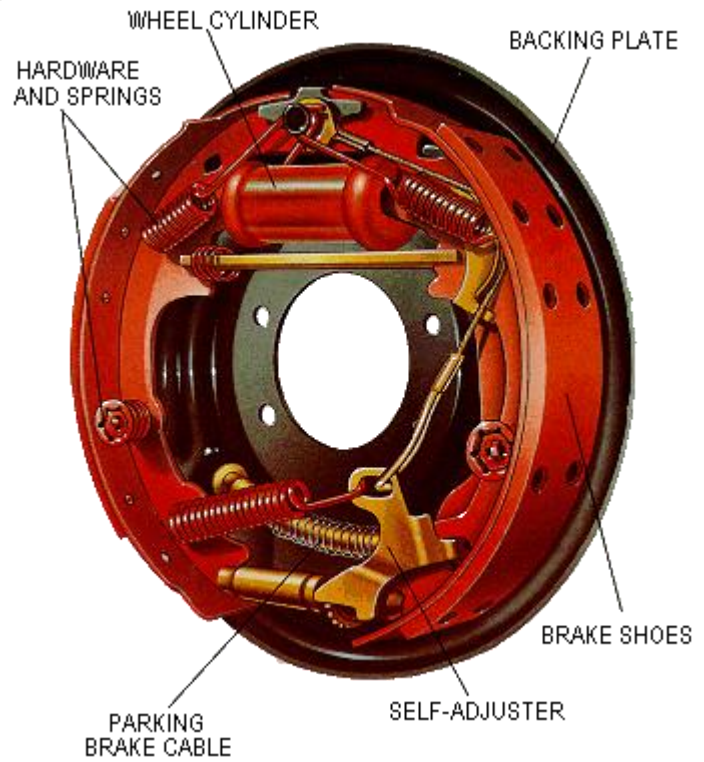
Combination Valve



Wheel Cylinder

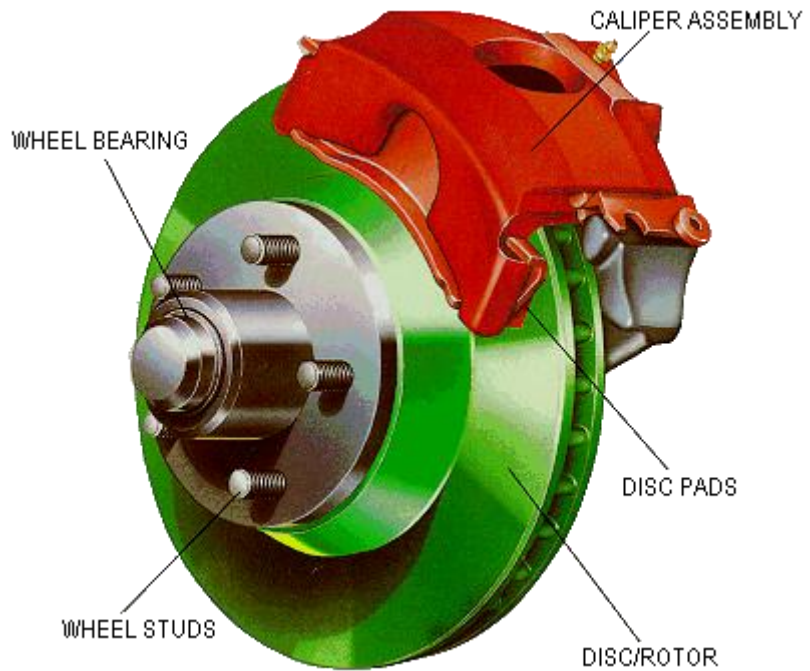


Drum Brake Assembly



Disc Brake Assembly

Because a disc brake assembly can absorb more heat than a drum brake assembly, most cars use disc brakes for their front brake systems. When the brake pedal is pushed, brake fluid from the master cylinder compresses the brake pads against the rotors attached to the vehicle's front wheels. The friction between the stationary pads and the revolving rotors causes the rotors and wheel to slow and stop.



In day-to-day driving, these rotors and pads are subject to much abuse, and should be checked periodically for wear. Faulty disc brakes can cause excessive pedal travel, pum

[Home](#) | [Mailing List](#) | [Specifications](#) | [Care and Feeding](#) | [Modifications](#) | [Vendors](#) | [Literature](#)



Rear Brakes

[Shoe removal / installation](#) | [Caliper removal / installation](#) | [Rotor removal / installation](#)

Rear Brake Shoe and Lining

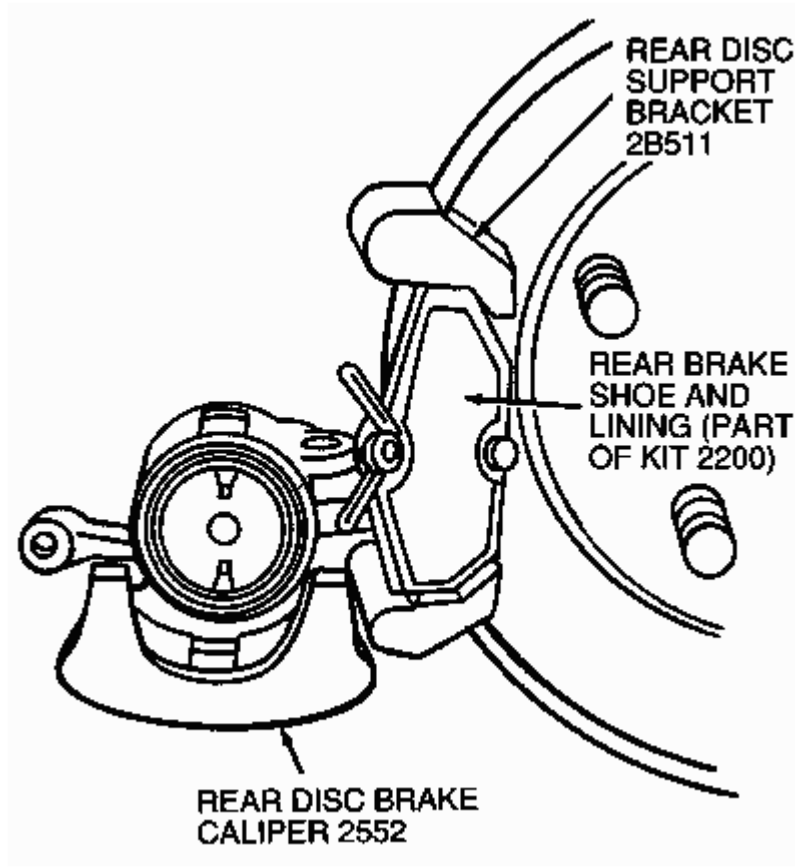
Removal

SPECIAL SERVICE TOOL(S) REQUIRED

Description	Tool Number
Rear Caliper Piston Adjuster	T87P-2588-A

1. Raise vehicle.

2. Remove wheel and tire assembly.
3. Remove upper rear brake pin retainer.
4. Rotate rear disc brake caliper away from rear disc brake rotor.

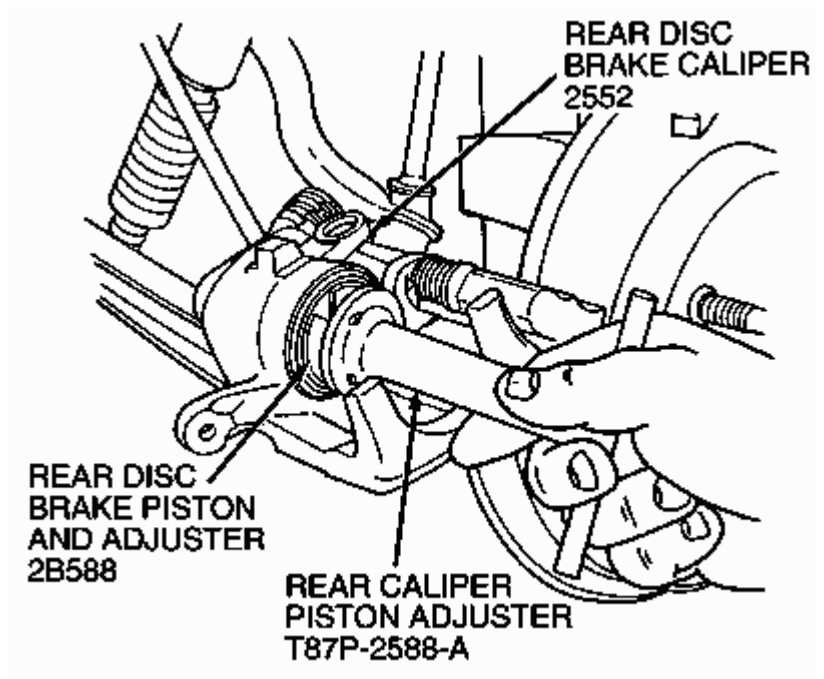


5. Remove inner and outer rear brake shoe and lining assemblies from rear disc support bracket.

Installation

1. Note: Make sure that one of the two slots in rear disc brake piston and adjuster face is positioned so it will engage nib on rear brake shoe and lining.

Using Rear Caliper Piston Adjuster T87P-2588-A rotate rear disc brake piston and adjuster clockwise until it is fully seated.



2. Install inner and outer rear brake shoes and linings in rear disc support bracket.
3. Rotate rear disc brake caliper assembly over rear disc brake rotor into position on rear disc support bracket. Make sure rear brake shoe and lining assemblies are installed correctly.
4. Remove residue from the rear brake pin retainer threads and apply one drop of Threadlock and Sealer EOAZ-19554-AA or equivalent meeting Ford specification WSK-M2G315-A5. Install and tighten rear brake pin retainers to 31-35 N-m (23-25 lb-ft).
5. CAUTION: Failure to tighten lug nuts in a star pattern may result in high rotor runout, which will speed up the development of brake roughness, shudder and vibration.

Install wheel and tire assembly on vehicle. Tighten lug nuts to 115-142 N-m (85-104 lb-ft) using a torque wrench.

6. Lower vehicle.

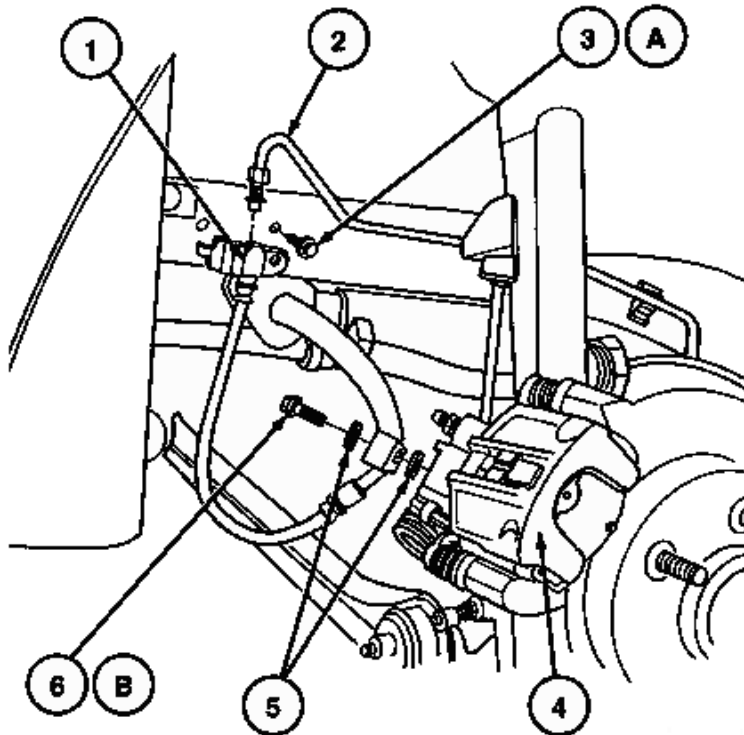
Rear Brake Caliper

Removal

1. Raise vehicle.
2. Remove wheel and tire assembly.

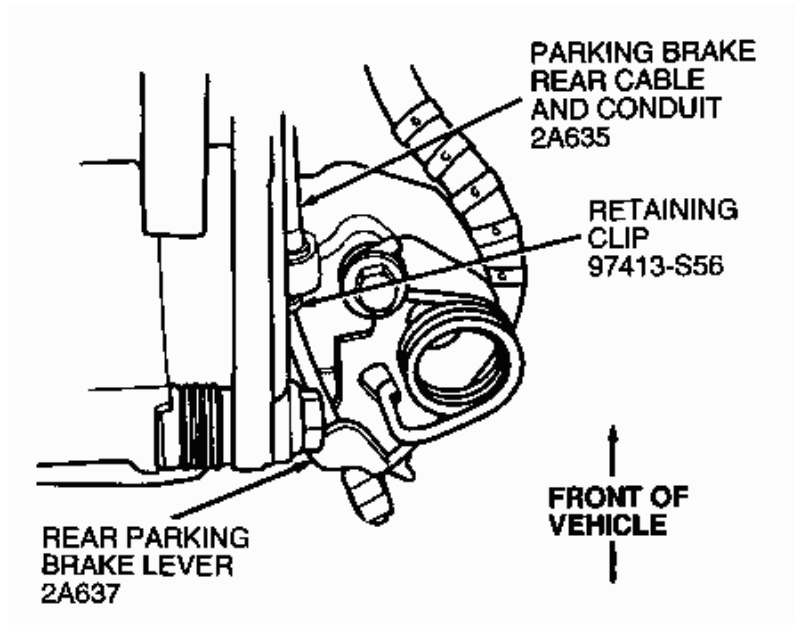
3. Remove retaining bolt and rear wheel brake hose from rear disc brake caliper assembly and plug.

Rear Wheel Brake Hose Connection to Caliper

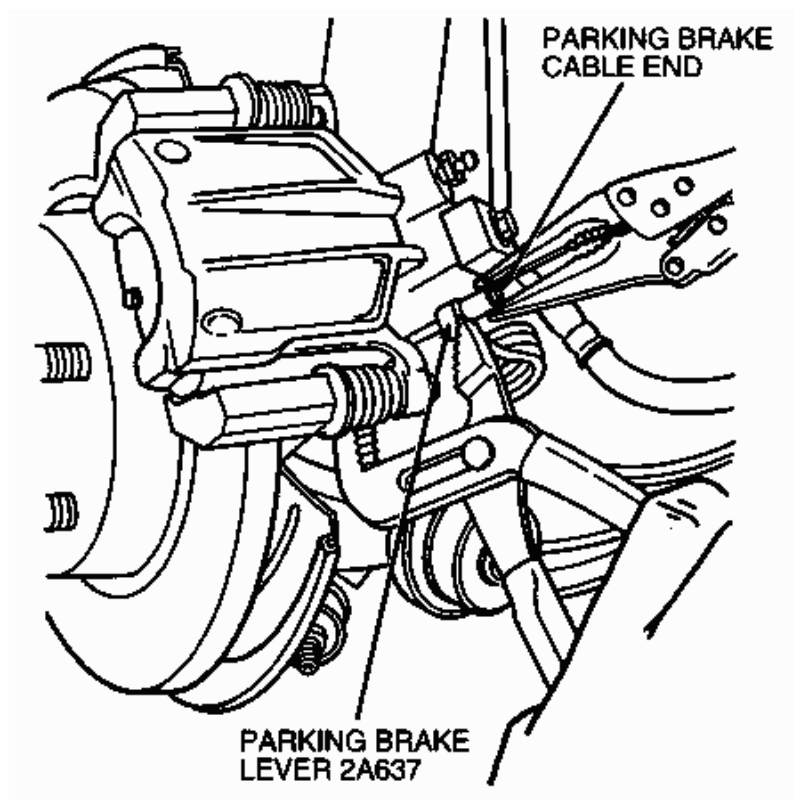


Item	Part Number	Description
1	2A442	Rear Wheel Brake Hose
2	2C287	Brake Fluid Distributor Tube
3	N80234-S60	Screw
4	2552	Rear Disc Brake Caliper
5	388949-S	Washer (2 Req'd)
6	N801052-S100	Bolt
A	--	Tighten to 12-15 N-m (107-132 Lb-In)
B	--	Tighten to 41-54 N-m (31-39 Lb-Ft)

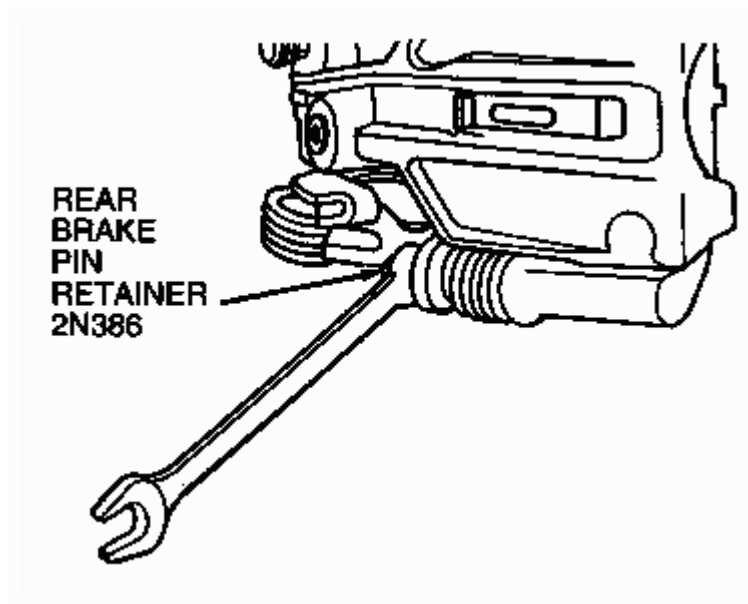
4. Remove retaining clip from parking brake rear cable and conduit at rear disc brake caliper.



5. Release tension from parking brake rear cable and conduit and disengage rear parking brake cable end from parking brake lever.



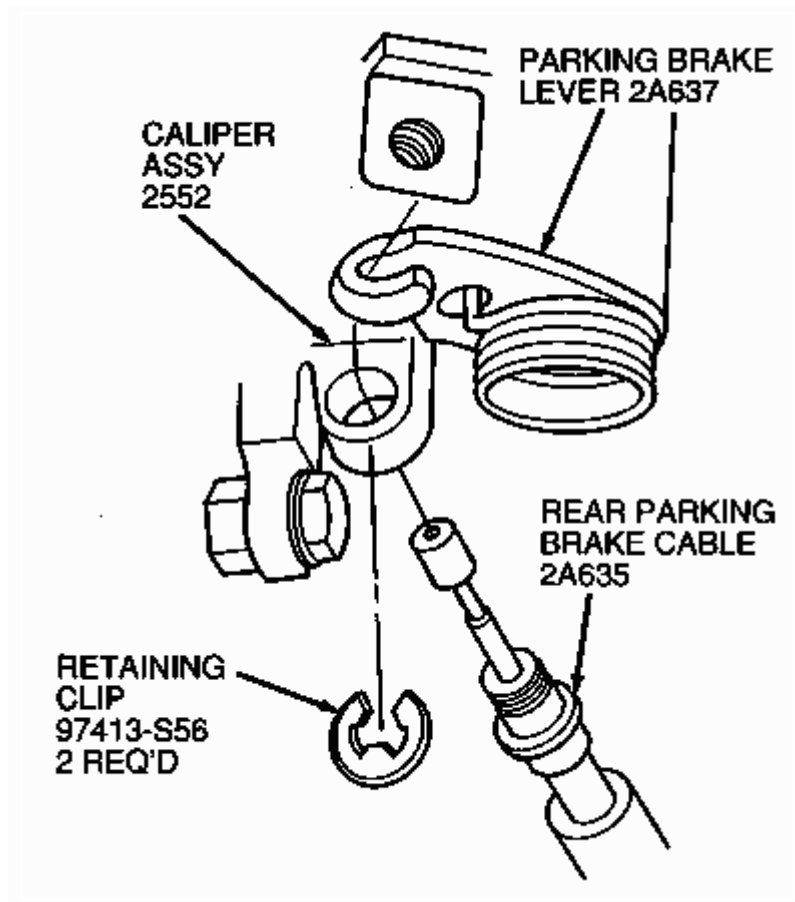
6. Remove rear brake pin retainers.



7. Lift rear disc brake caliper away from rear disc support bracket.

Installation

1. Position rear disc brake caliper assembly on rear disc support bracket. Make sure rear brake shoes and linings are installed correctly.
2. Remove residue from the rear brake pin retainer threads and apply one drop of Threadlock and Sealer EOAZ-19554-AA or equivalent meeting Ford specification WSK-M2G315-A5. Install rear brake pin retainers and tighten to 31-35 N-m (23-25 lb-ft).
3. Attach cable end to parking brake lever. Install cable retaining clip on rear disc brake caliper assembly.



4. Using new washers, connect rear wheel brake hose to rear disc brake caliper. Tighten retaining bolt to 41-54 N-m (31-39 lb-ft).

5. Bleed serviced caliper.

6. CAUTION: Failure to tighten lug nuts in a star pattern may result in high rotor runout, which will speed up the development of brake roughness, shudder and vibration.

Install wheel and tire assembly on vehicle. Tighten lug nuts to 115-142 N-m (85-104 lb-ft) using a torque wrench.

7. Lower vehicle.

Rear Brake Rotor

Removal

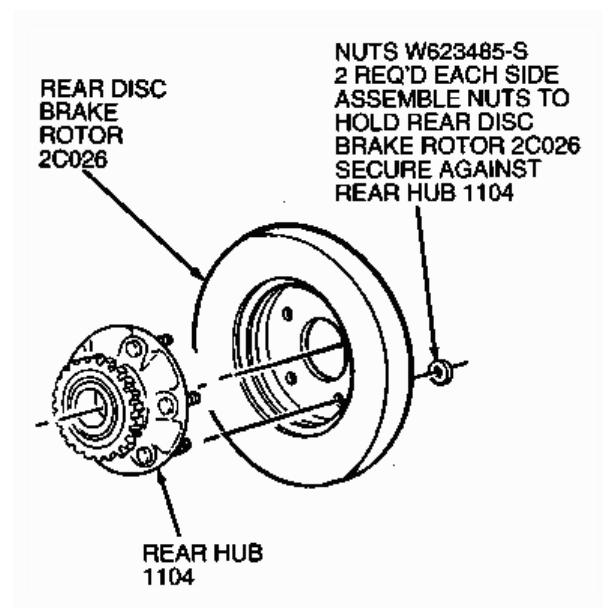
1. Raise vehicle.
2. Remove wheel and tire assembly.

3. If service to rear disc brake caliper assembly is not necessary, do not disconnect rear wheel brake hose from rear disc brake caliper.

4. Note: To prevent damage, do not allow rear disc brake caliper/rear disc support bracket assembly to hang by rear wheel brake hose.

Remove caliper anchor bracket bolts and discard. Position rear disc brake caliper/rear disc support bracket assembly out of the way.

5. Remove two nuts retaining rear disc brake rotor to wheel hub. Remove rear disc brake rotor from wheel hub.



Installation

Note: Lubrication of hub pilot diameter with Silicone Brake Caliper Grease and Dielectric Compound D7AZ-19A331-A or equivalent meeting Ford specification ESE-M1C171-A or equivalent will ease future removal.

1. Install rear disc brake rotor on wheel hub. Install two new retaining nuts securely.

2. Install the rear disc brake caliper rear disc support bracket assembly with two new caliper anchor bracket bolts.

3. Tighten bolts to 87-119 N-m (65-87 lb-ft).

4. CAUTION: Failure to tighten lug nuts in a star pattern may result in high rotor runout, which will speed up the development of brake roughness, shudder and vibration.

Install wheel and tire assembly on vehicle. Tighten lug nuts to 115-142 N-m (85-104 lb-ft) using a torque wrench.

5. Lower vehicle.

[Contact Information](#)